

## Data Sheet

## Current Transformer



## Application

- Switchgear
- Distribution System
- Generator Sets
- Control Panels
- Control devices

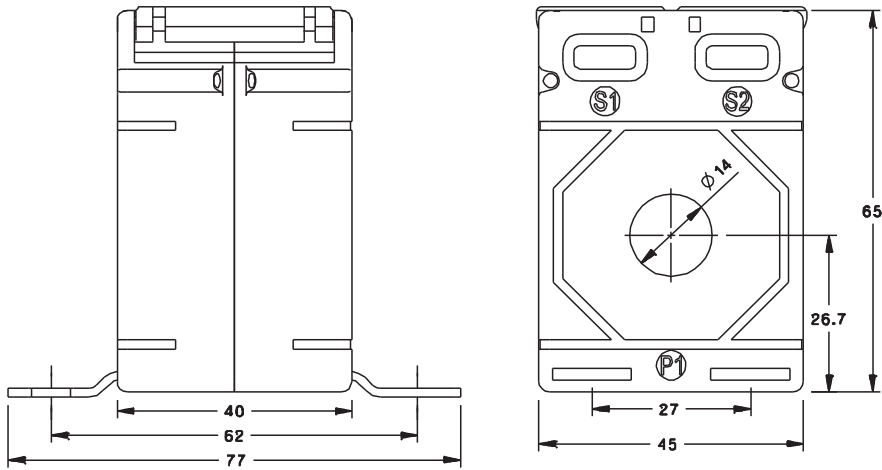
## Product Features

- Current ratings from 50A to 4000A.
- Current Transformers have been designed with hole centers and apertures to fit most standard industrial circuit breakers.
- Various mounting options like Busbar mounting, Wall mounting, Universal din rail mounting.

## Technical Specifications

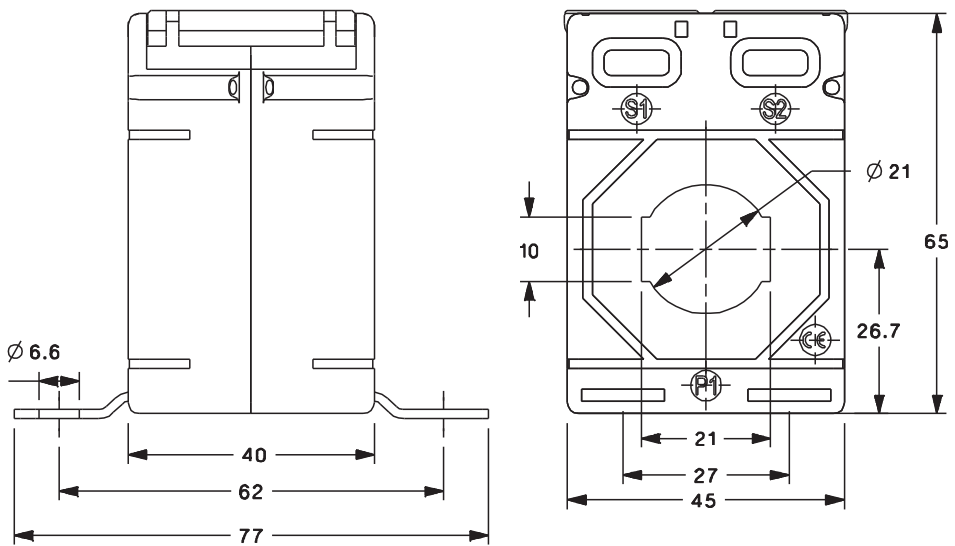
Applicable Standard	IEC 61869-2 & IEC 60044-8
Insulation Class	E (120°C)
maximum Operating Voltage (Um)	0.72 kV Maximum.
Test Voltage	4 kV, 50 Hz for 1 Minute.
Operating Frequency	50 or 60Hz
Rated Primary Current	50A to 4000A
Rated Secondary Current	5A
Rated Burden	Upto 15VA
Accuracy Class	Class 1, Class 5.
Operating temperature	-25° C to +40° C
Storage temperature	-50° C to +80° C
Thermal Short Circuit Current (Ith)	60 X In
Dynamic Short Circuit Current (Idyn)	2.5 X Ith
Thermal Nominal Rated Current (Icth)	1.2 X In

# RISH XMER 45-14



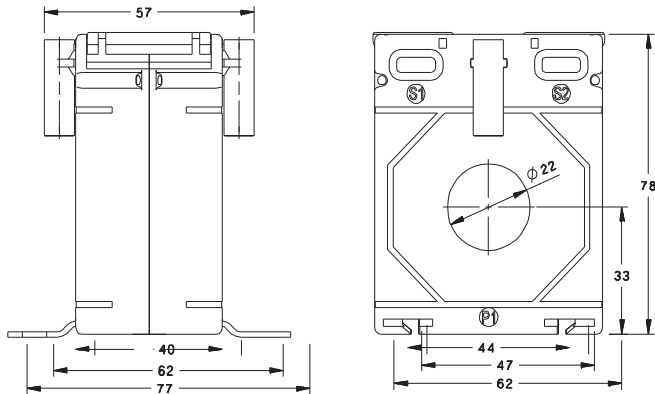
Primary Current	45/14	
	Accuracy	
	5	1
50 A	3.75 VA	---
60 A	5 VA	---

# RISH XMER 45-21



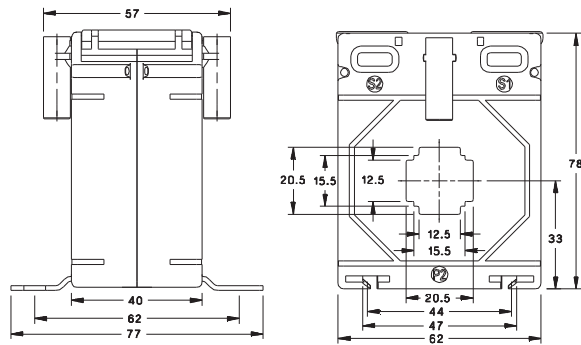
Primary Current	45/21	
	Accuracy	
	5	1
75 A	5 VA	---

# RISH XMER 62-R



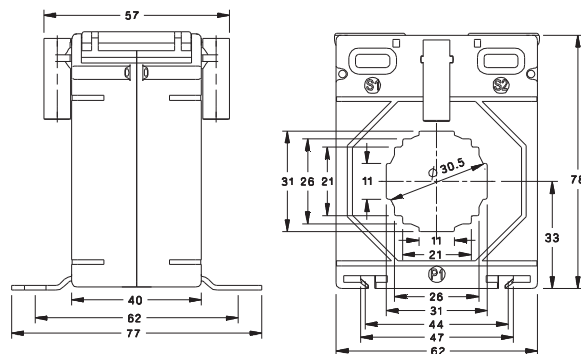
Primary Current	62/20	
	Accuracy	
	5	1
100 A	---	5 VA

# RISH XMER 62-20



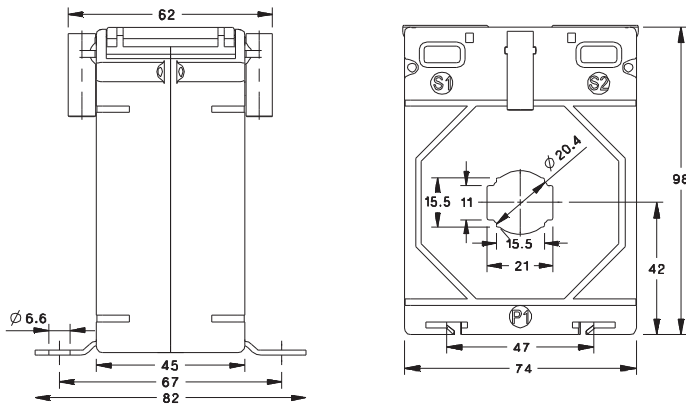
Primary Current	62/R	
	Accuracy	
	5	1
150 A	---	7.5 VA

# RISH XMER62-30



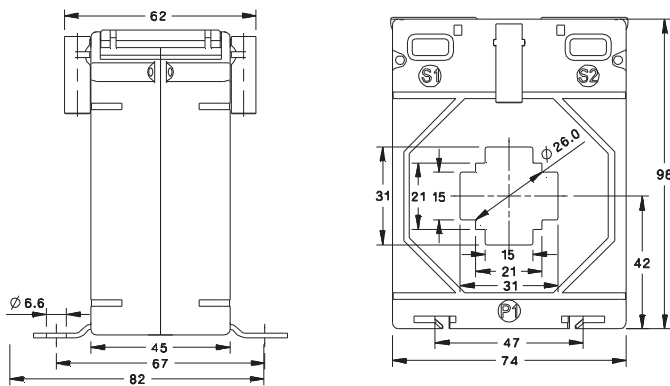
Primary Current	62/30	
	Accuracy	
	5	1
200 A	---	10 VA
250 A	---	10 VA

## RISH XMER 74-20



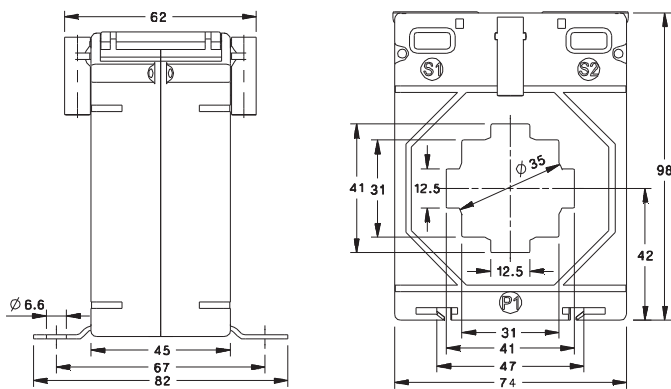
Primary Current	74/20	
	Accuracy	
	5	1
300 A	---	10 VA
300 A	---	15 VA

## RISH XMER 74-30



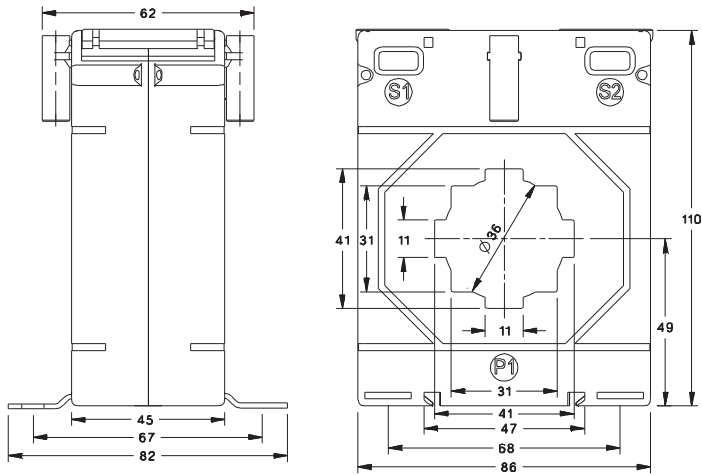
Primary Current	74/30	
	Accuracy	
	5	1
400 A	---	15 VA
500 A	---	15 VA
800 A	---	15 VA

## RISH XMER 74-40



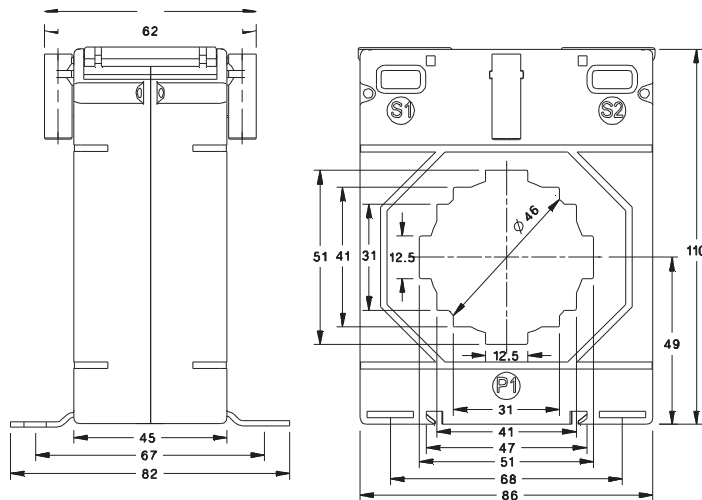
Primary Current	74/40	
	Accuracy	
	5	1
600 A	---	15 VA

# RISH XMER 86-40



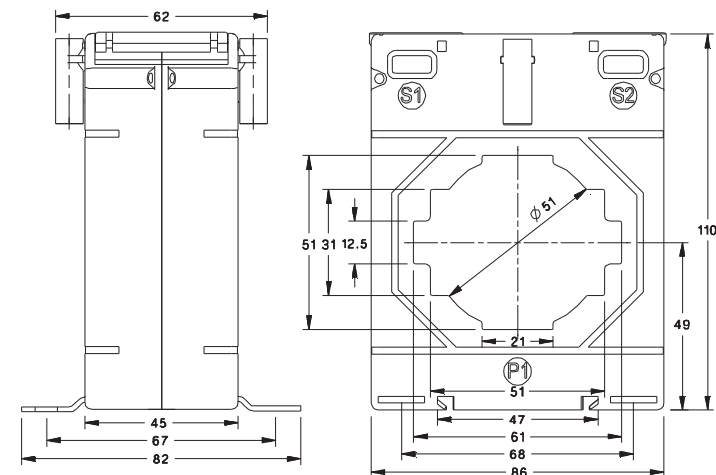
Primary Current	86/40	
	Accuracy	
	5	1
1000 A	---	15 VA

# RISH XMER 86-50



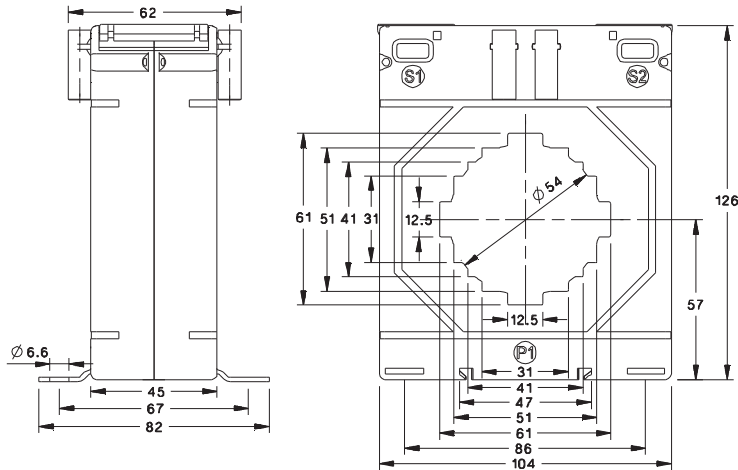
Primary Current	86/50	
	Accuracy	
	5	1
1200 A	---	15 VA

# RISH XMER 86-60



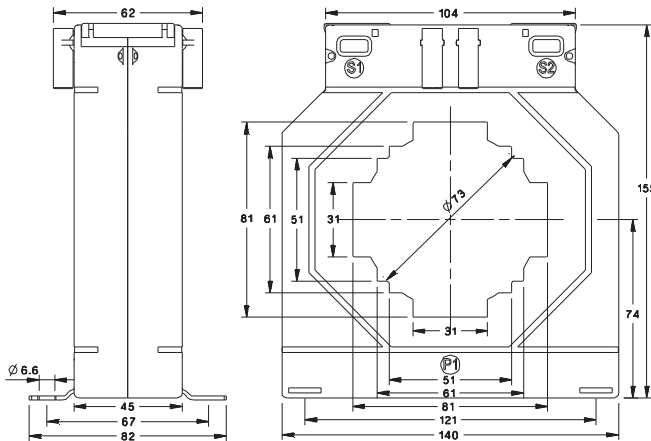
Primary Current	86/60	
	Accuracy	
	5	1
1500 A	---	15 VA

# RISH XMER 104-60



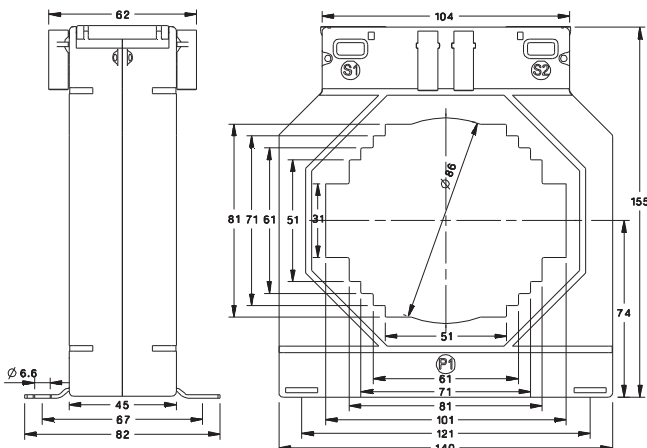
Primary Current	104/60 Accuracy	
	5	1
1600 A	---	15 VA

# RISH XMER 140-80



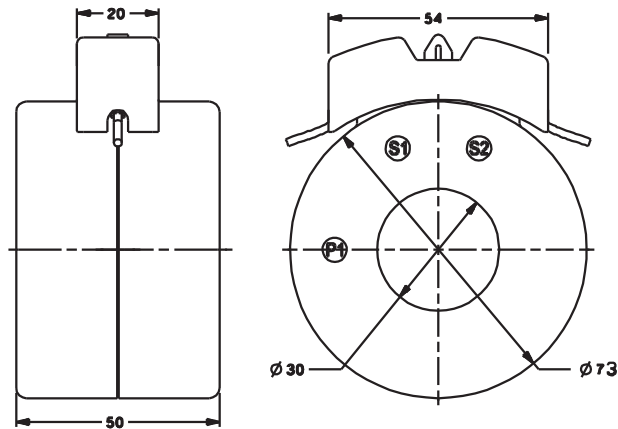
Primary Current	140/80 Accuracy	
	5	1
2000 A	---	15 VA

# RISH XMER 140-100H



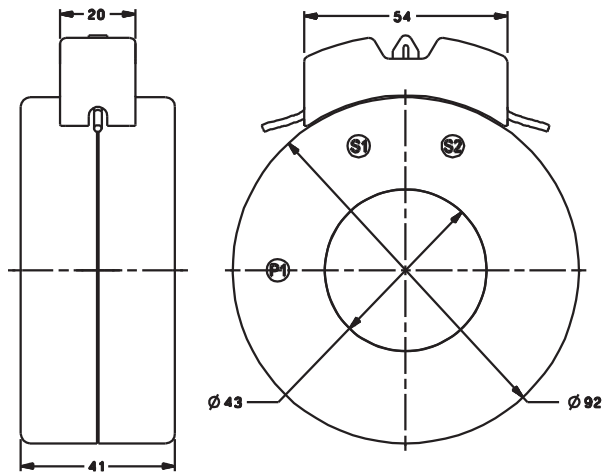
Primary Current	140/80 Accuracy	
	5	1
2500 A	---	15 VA
3000 A	---	15 VA
4000 A	---	15 VA

## RISH CT TW - 2



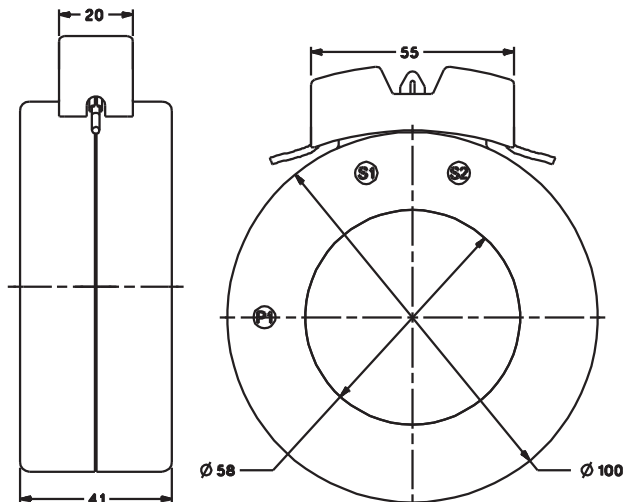
Primary Current	TW-2	
	Accuracy	
	5	1
50 A	5 VA	---
60 A	5 VA	---
75 A	5 VA	---
100 A	---	5 VA
150 A	---	5 VA
200 A	---	10 VA
200 A	---	15 VA

## RISH CT TW - 3



Primary Current	TW-3	
	Accuracy	
	5	1
250 A	---	10 VA
250 A	---	15 VA
300 A	---	10 VA
300 A	---	15 VA

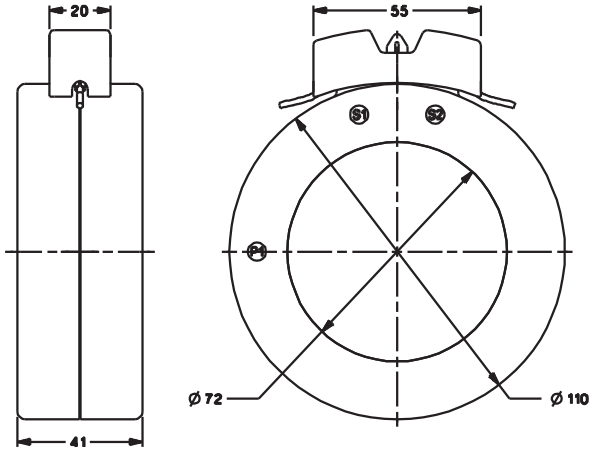
## RISH CT TW - 4



Primary Current	TW-4	
	Accuracy	
	5	1
400 A	---	15 VA
500 A	---	15 VA
600 A	---	15 VA

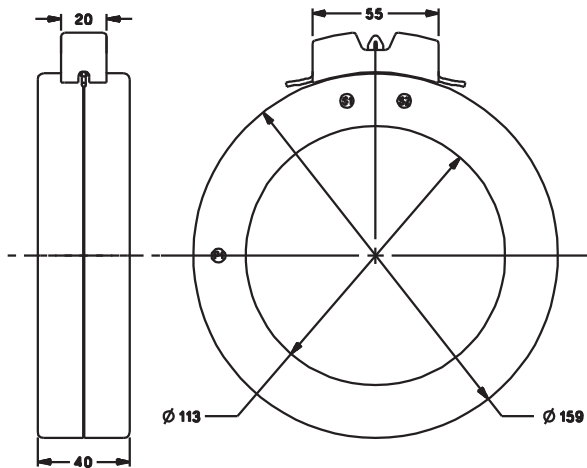


# RISH CT TW - 5



Primary Current	TW-5	
	5	1
	Accuracy	
800 A	---	15 VA
1000 A	---	15 VA

# RISH CT TW - 6



Primary Current	TW-6	
	5	1
	Accuracy	
1200 A	---	15 VA
1500 A	---	15 VA
1600 A	---	15 VA
2000 A	---	15 VA
2400 A	---	15 VA
2500 A	---	15 VA
3000 A	---	15 VA
3200 A	---	15 VA